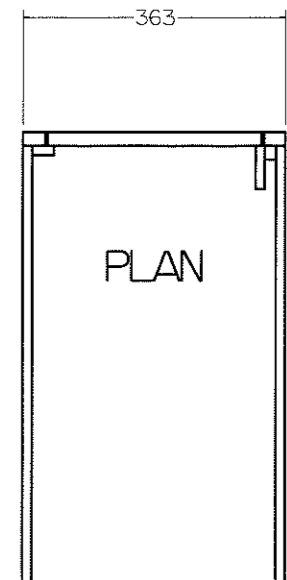
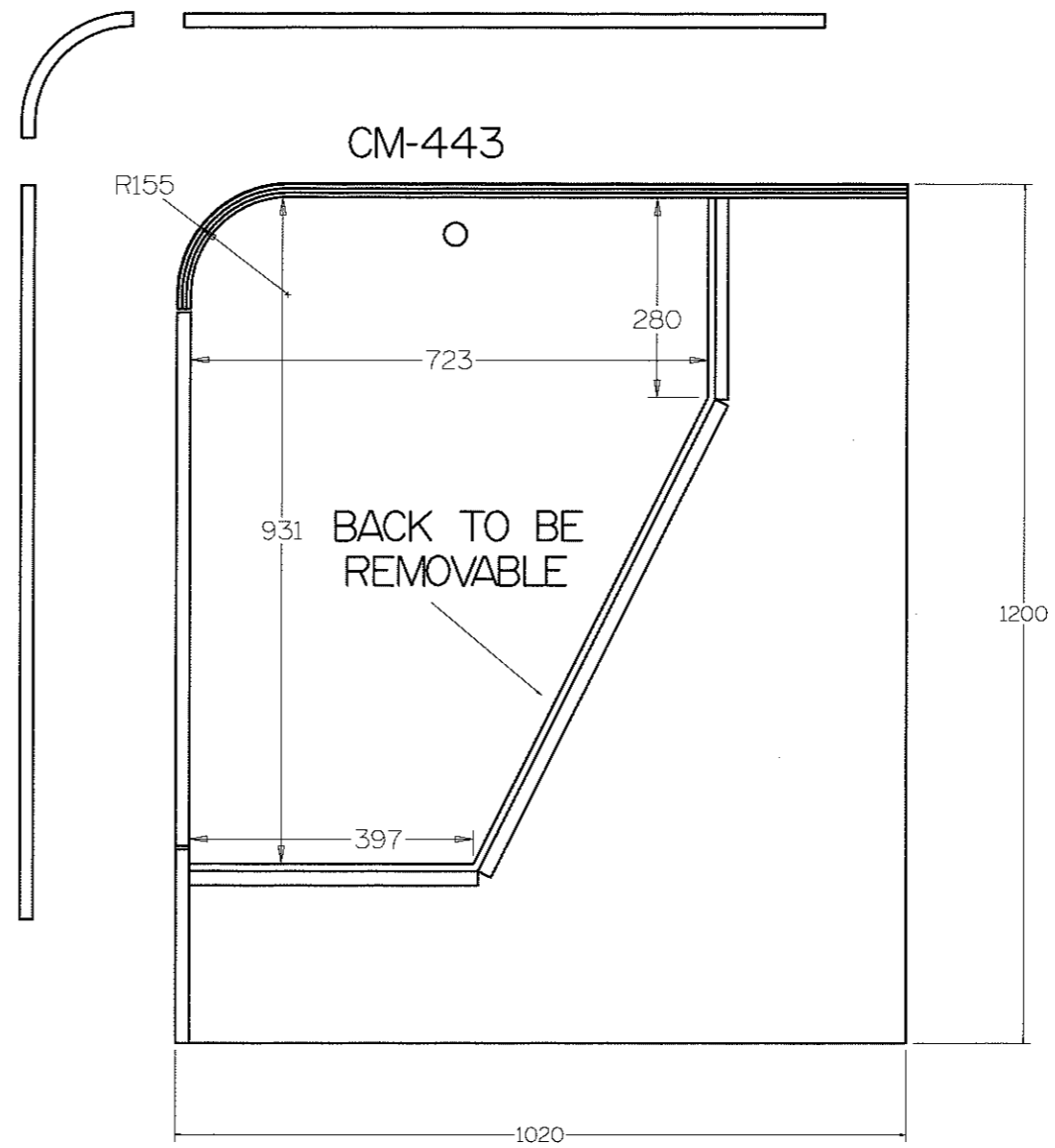
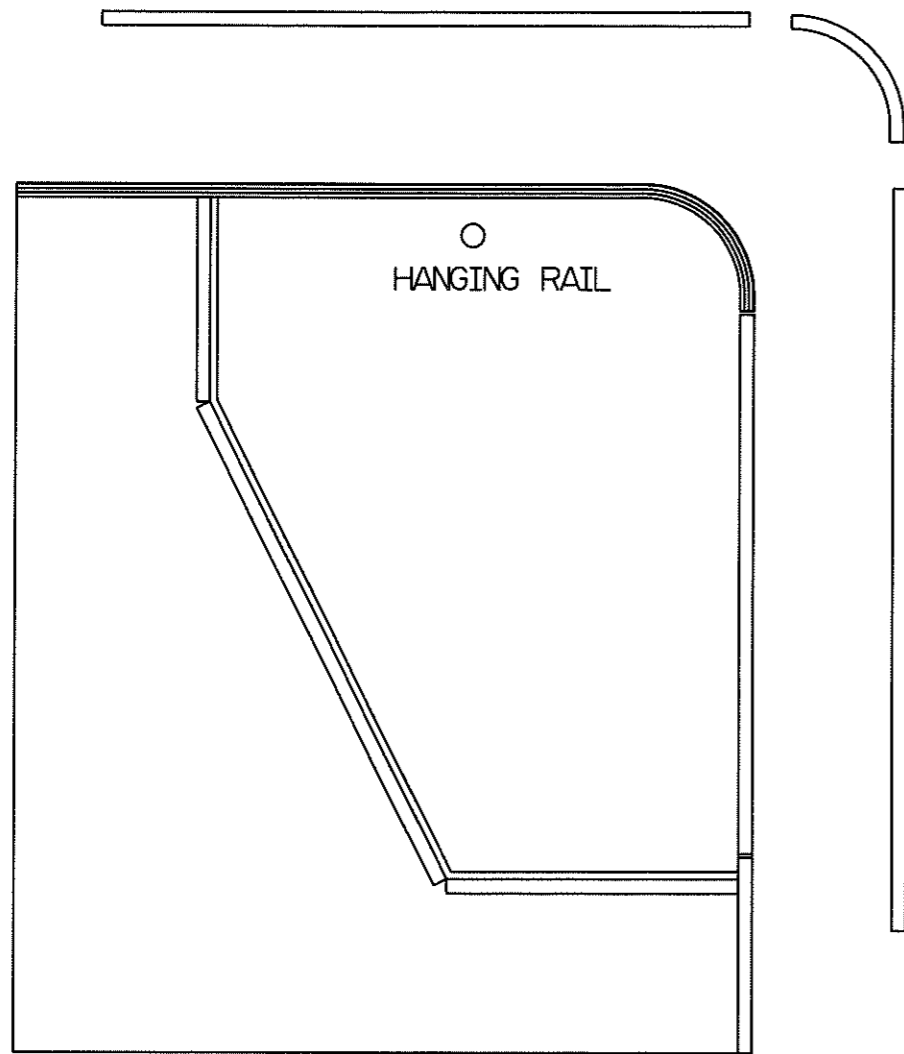


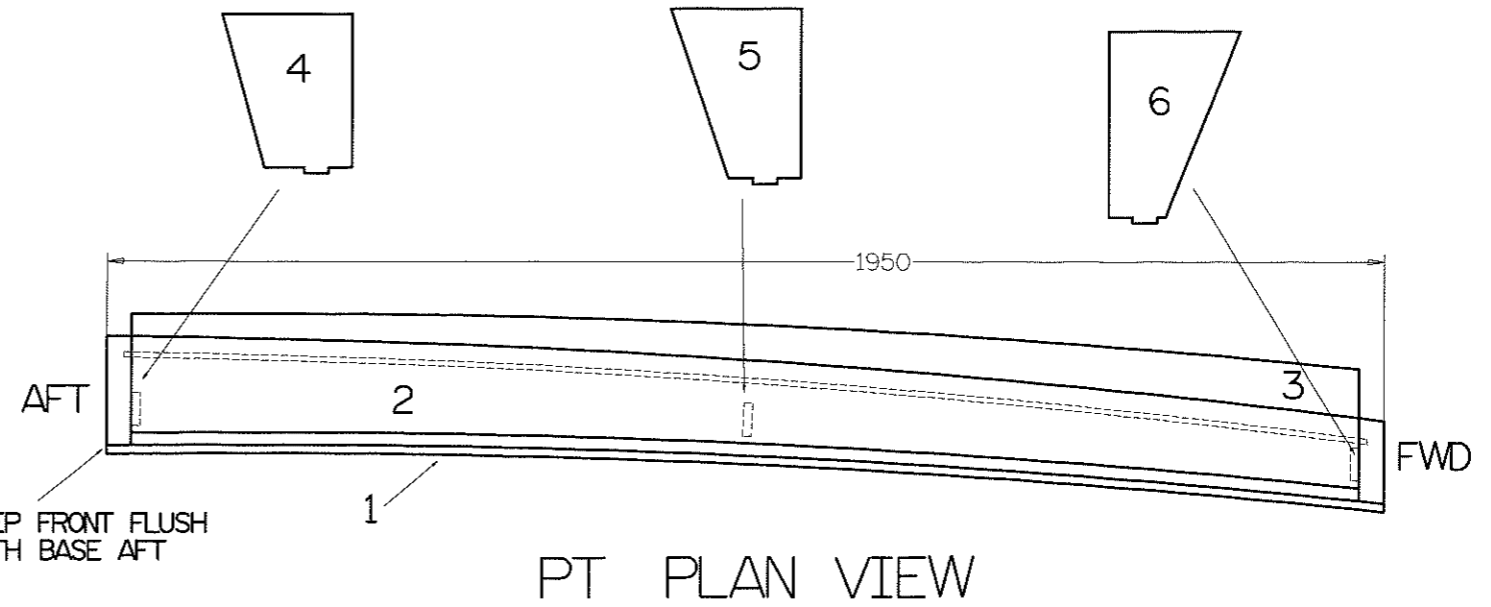
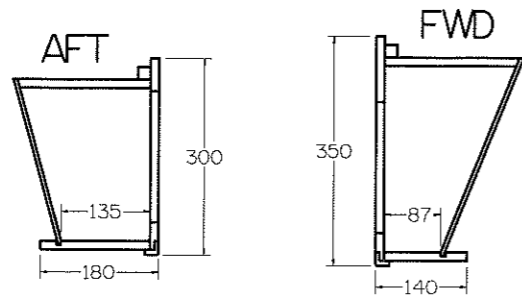
HANDED PAIR REQUIRED
IN SAPELE

WARDROBES
H/W EDGING





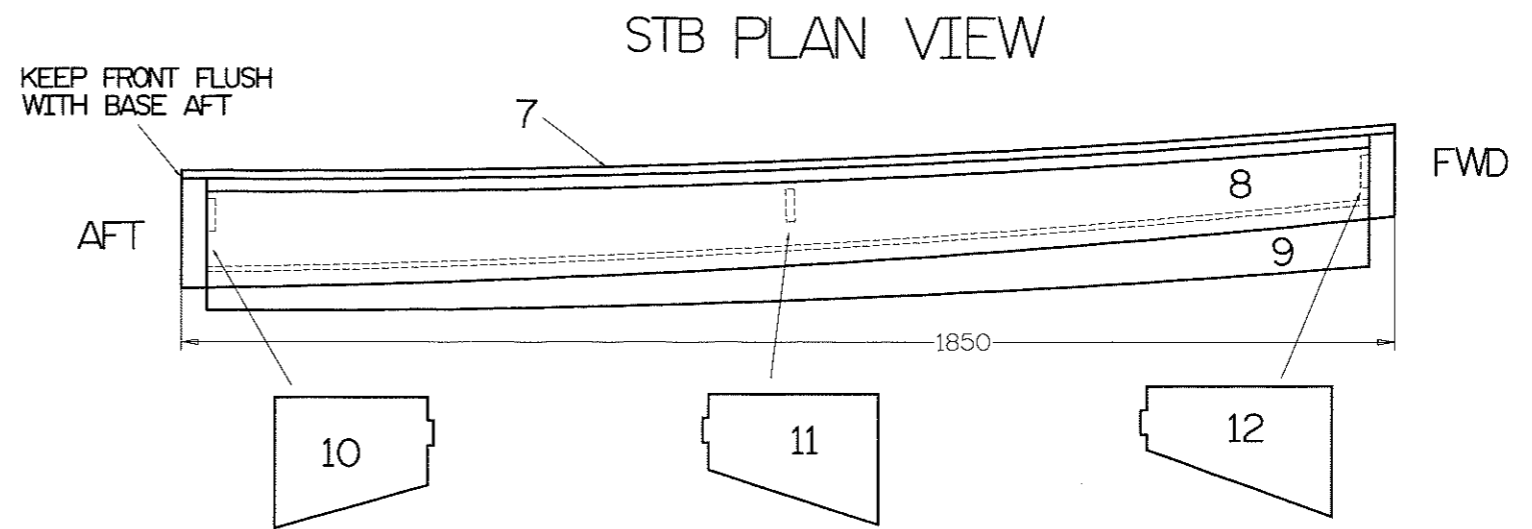
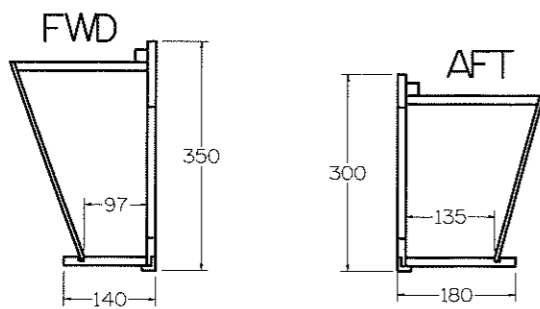
PORT SIDE VIEWS



PT PLAN VIEW

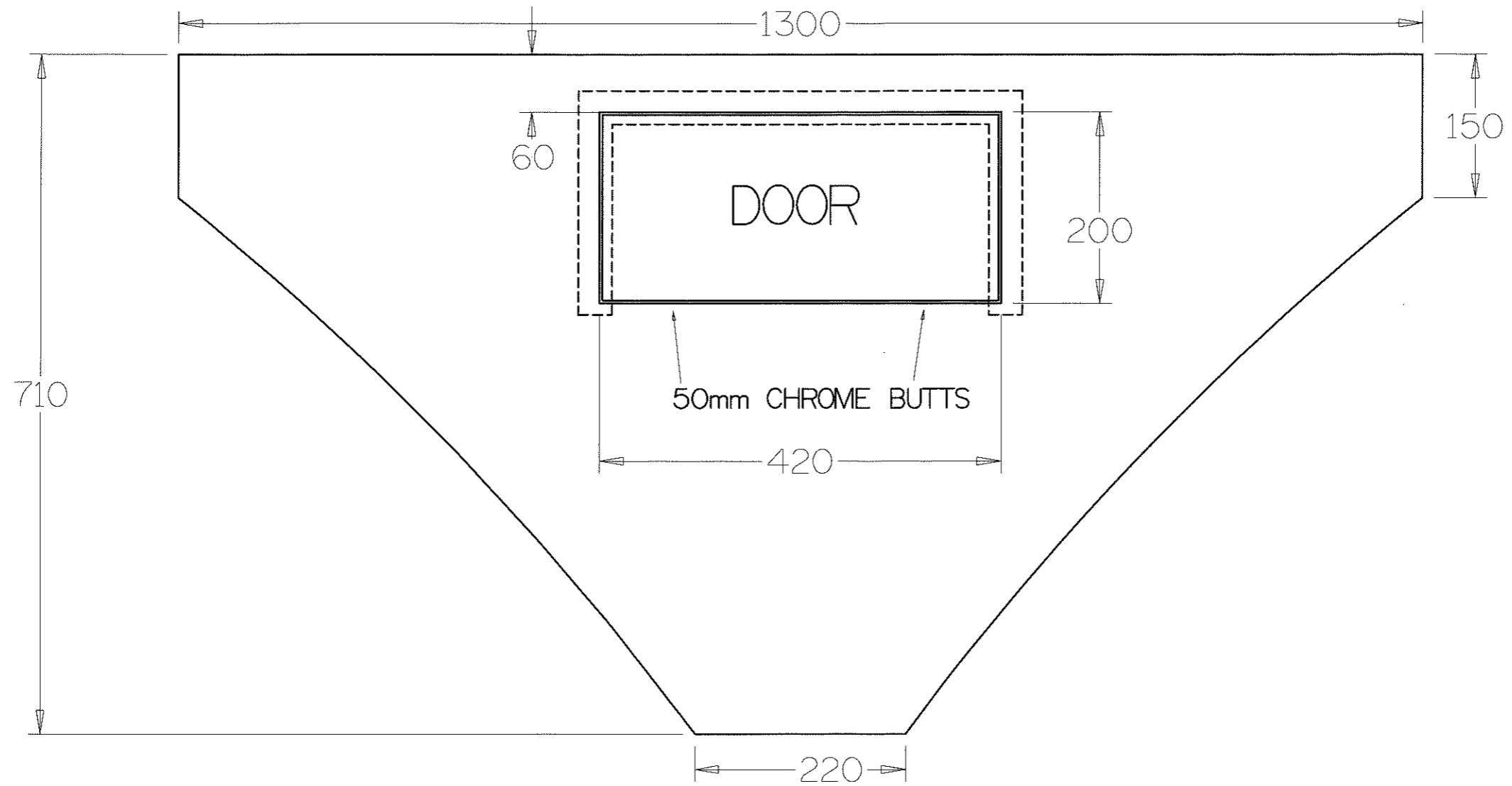
TOP LOCKERS

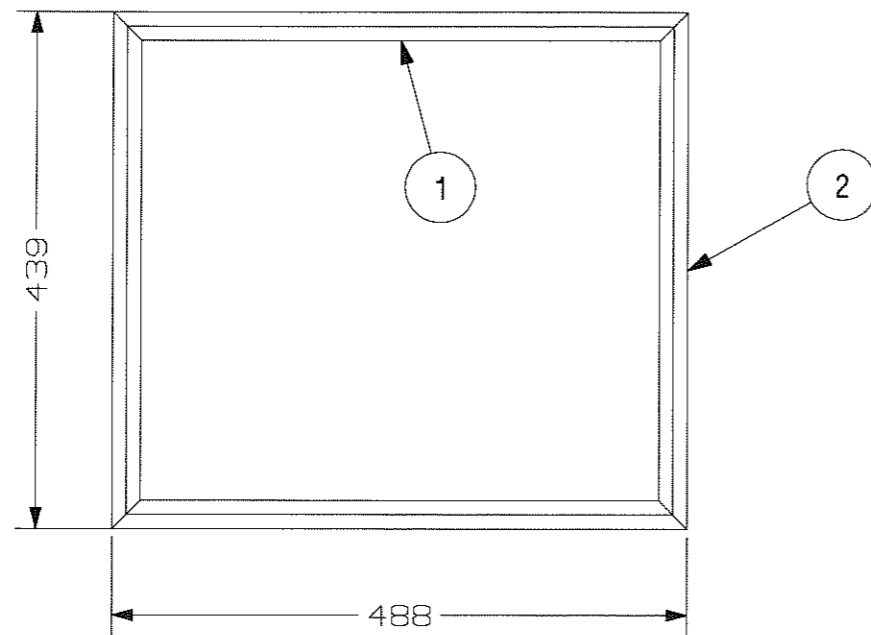
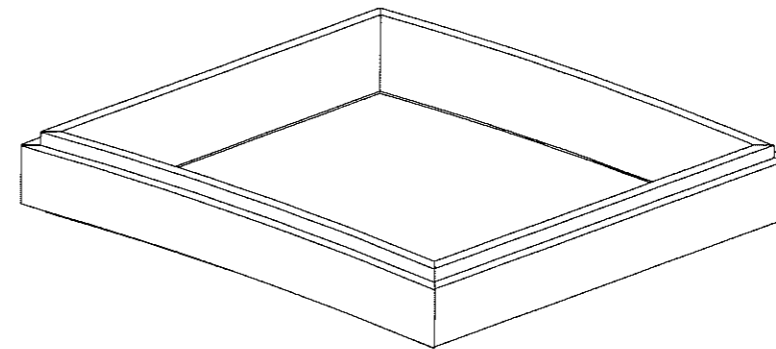
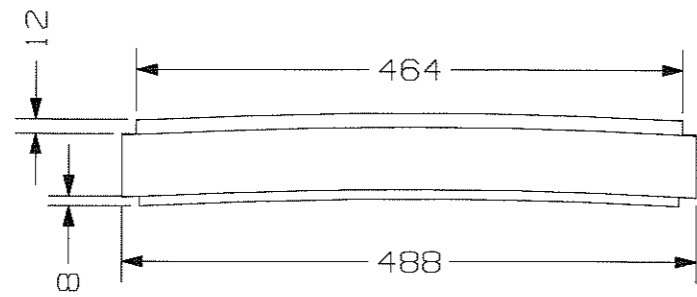
STB SIDE VIEWS



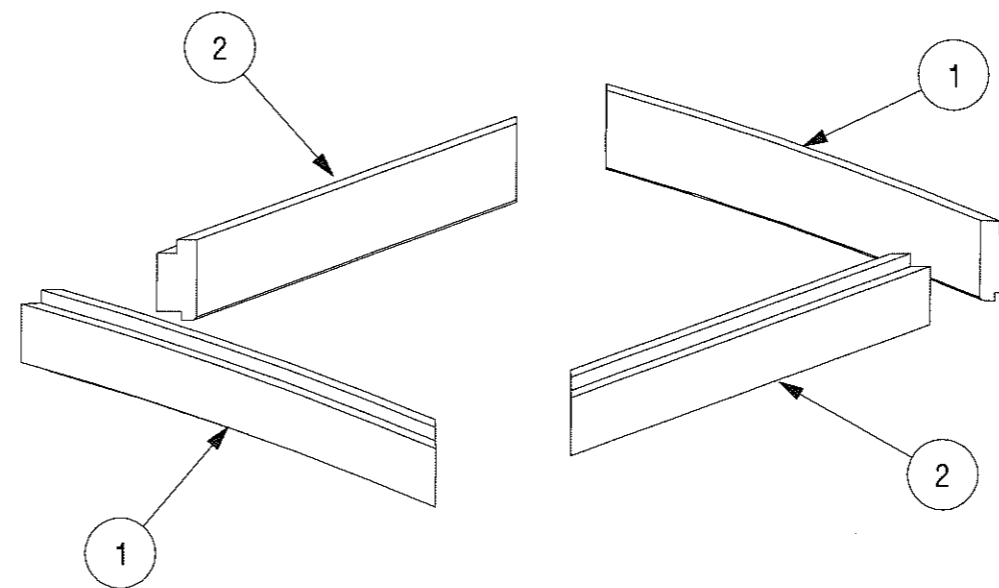
STB PLAN VIEW

CHAIN LOCKER BLK0
VENEER DOOR AND CAVE
WITH 0.5MM VENEER





MITRE AND SCREW TOGETHER
OUTSIDE NOT SEEN



ISSUE A	MODIFICATION	C'NOTE No.	DRN	CH'D	DATE
---------	--------------	------------	-----	------	------

PRINCESS YACHTS INTERNATIONAL plc
NEWPORT STREET, PLYMOUTH, DEVON, PL1 3QG

TITLE
PROJECT 31
FWD HATCH

APPROXIMATE WEIGHT OF UNIT			1.97Kg
DRAWN BY	INITIALS	DATE	SCALE
CHECKED BY	R.B.	24-07-15	N.T.S.
			DRAWING NUMBER
			-1